

# THE MUSE



-----For MARCH 2024-----

The newsletter of the MUSICK POINT RADIO GROUP (INC.) NZART BRANCH 86  
*Incorporating* The Society for the Preservation of Amplitude Modulation (SPAM)  
and **Green Radios On The Air (GROTA) News.**

Musick Point Memorial Radio Station, Bucklands Beach, Auckland. Call Sign-ZL1ZLD.

BRANCH 86 NZART NET- TUESDAYS, 7.30PM, 145.775 MHz, Musick Point Repeater. All welcome!

SPAM Remote Receiver - <http://spamnz.zapto.org:8901/>

Website- <https://musickpointradio.org> Webmaster-Neil ZL1NZ.

SPAM A.M. (ZL6AM or ZL1ZLD) Nets- Wednesdays 11 AM, Fridays 8.30PM, on 3.850MHz, and sometimes on 7.125MHz after the 80 meter net.

Editor- Martyn, ZL3CK.

Meeting- Second Sunday of the Month (Except May-Third Sunday, to avoid Mothers' Day)

NEXT MEETING- **SUNDAY, MARCH 10<sup>th</sup> at 1pm. Coffee and tea provided!**

**NOTE- APRIL 14<sup>th</sup> MEETING IS THE AGM. Please make sure you can come so we can continue to function as a club, thank you for your support.**



Recent 'Green Radio' action at Musick Point- Rob ZL4ROB ((PRC6) Luke ZL1LMB (W.S. Nos. 18 and.38) and Harry ZL1BK (Yaesu 817) after a successful GROTA mini-DXexpedition around the reserve..

The Yaesu has a green HF whip so we thought it qualifies! See-

[https://www.greenradio.de/htm2/e\\_banana.htm](https://www.greenradio.de/htm2/e_banana.htm) for more info on BC611 & PRC6 radios.

## From the Chair

Despite my intention to make an early start on this, life got in the way, as usual, and I am now trying to get it done without any more delays. The last month has seen some interesting activities at the station. Rob, ZL4ROB has been working on his valve tester; an amazing large gadget which will test any old valve. That's the theory, anyway, but there were some issues that needed sorting out. Between frustrations with the tester, he has been going through some of the surplus equipment and checking it, with some repairs and adjustments, where necessary. Once resurrected, the intention is to put them up on the website for sale. The site is at: <http://zlham.net.nz>. Have a look, there is some interesting stuff there.

Apart from all this, Mark, ZL1MRT has been testing his low power computerized CW transmitter and also testing out a couple of different aerials to try and achieve best performance. The rig, I believe, transmits binary encoded Morse characters which are decoded at the other end, his home setup, to which he connects to be able to read the messages and assess performance of, both transmitter and aerials.

~~~~~  
I checked into the Hokey Pokey clinic and I turned myself around  
~~~~~

Last Sunday, I arrived at the station and as I pulled up at the gate, I noticed something different. When I went to unhook the chain, the main padlock was not looped in as usual, and one of the old, redundant padlocks had been broken open (see picture on the website; <https://mprg.zlham.net.nz>). Once I got into the station, Dave, ZL1DL told me that when he arrived, the chain was on the ground. The non-opening end of the chain clearly had something missing, so he padlocked it to the big anchor ring in the gatepost and managed to then hook the opening end to the ring on that end. The chain was now a bit too short to be able to lock it.

After a bit of scratching around, we found a short length of chain in the cupboard but no suitable accessories to make repairs. Back at the gate, we unlocked Dave's spare padlock and looped the short chain through the big ring and padlocked the two ends to the main chain, bypassing two more redundant padlocks. At the other end, we now had sufficient length to be able to lock the chain as usual, but we first removed the broken padlock. Before starting the operation, I counted ten padlocks in the whole assembly, but that excluded the missing one replaced by Dave's spare. There is definitely lots of room for improvement. I think that Spark should replace the whole lot with a new chain and the one main padlock.

~~~~~  
I encouraged my wife to embrace her mistakes. She gave me a hug.  
~~~~~

Later that afternoon, I noticed that our 80 metre aerial was lying across the field. So, off I went to gather the troops. On inspection, the rope at the tree end had broken at a somewhat inconvenient point. Fortunately, it was tied to one of the trunks, not too high and within reach with the use of a ladder. We removed the rope and reconnected it then re-rigged it, noting that the rope needs to be replaced, having broken far away from any potential abrasion points, most likely due to old age and weathering. There's another project, but for another day.

~~~~~  
Apart from being physically exhausted, financially challenged, overweight, and mentally unstable, everything's going really well, thanks.  
~~~~~

Fast running out of page, so I'll end off now. It is pleasing to see that the station is being used regularly. Why not come out one Sunday and have some fun with us?

Until next month:  
73, and call CQ

David, ZL1DRV

## **MPRG News-**

Quite a busy month, with the tea room often full! Recent visitors include **Nick ZL1NL**, often heard on 3.740 MHz. Nick has a remotely operated station at his QTH on Waiheke Island but is also to be found maritime mobile. It was really good to meet him in person after many years of occasional QSO's.

**John ZL1JDG** and his partner **Aurora** have also been visiting regularly.

Work at the station has included attention to the half-dozen or so security lights, now being replaced with LED equivalents, led by **Dave ZL1DL**.



**Mark ZL1MRT** with President **David ZL1DRV** checking out Mark's latest loop aerial on the station roof.

### **Portable Day, 11 February**

As planned, several of us turned up early to try out a few things in the park. **Dave ZL1DL** had his latest version of the on-ground loop aerial with preamp out, with a 20 meter 'square loop' (15 feet a side), then tried with double this length. Both worked reasonably well on 40 Mt when compared with the adjacent SDR, but the longer loop brought a lot of BC intermodulation, possibly curable with a BC filter. More to try!

**ZL3CK's** W.S. No. 48 was a 'green radio' representative on the day, and managed a brief AM QSO with Rob, all of 20 meters away! However, this did impress new member **Qing BG4GEK** and partner **Donna** looking on!

**Harry ZL1BK** was busy comparing the gain of three different 2 meter whip aerials using the more complicated functions of a VNA. He was able to compare gains down to 0.1 of a dB, with about 1 dB difference between the three.



Mark ZL1MRT, John ZL1JDG, Harry ZL1BK, Rob ZL4ROB and Dave ZL1DL in the park.



Harry working with his VNA and ICOM 705 HF radio.

## MPRG News continued-

We are delighted to welcome **Qing Fan, BG4GEK/ZL** as our newest club member. Qing has been living in Auckland for several years with his family, and we expect he will obtain his ZL call soon.

## SPAM News

**STILL WANTED-** a SPAM member to run the meeting at the NZART Annual Conference on Sunday, June 2<sup>nd</sup>. ZL3CK will be away overseas, and Kelvin ZL3KB likewise. The Conference organiser Ian ZL3TAO wants to know if we want a “SPAM” slot on the Sunday as per previous years. A “GROTA” working station will be in operation. If you are able to help, email Ian on- [ian@macpherson.gen.nz](mailto:ian@macpherson.gen.nz) or the editor, thankyou. ZL3CK has the minutes and club records in safe keeping, and will ensure the person who will chair the meeting has them in time for it.

---

## The “How Convenient” Corner with Dave ZL1DL-

### Connecting an External Antenna to your Motorola Handheld

In recent times, the availability of retired commercial radios has enabled newly licenced hams to get on the air for very little (if any) outlay. One example is the Motorola GP329 handheld. While this is a capable radio in its own right, often a next step is to improve range by substituting the antenna. A simple coax fed dipole or jpole can make a huge difference. But I digress... One just needs to remove the “rubber ducky antenna” and screw in an adaptor to, for example, a BNC connection and attach the coax to the new u-bute antenna, or does one?

Things get interesting, when you remove the rubber ducky antenna. You can see that the antenna is fed from the threaded part of the connector<sup>1</sup>; which would normally be “ground” for a coaxial connector. No problem; you just get an adaptor<sup>2</sup> that connects the thread on the radio to the centre of a BNC connector.



(1)

Motorola Antenna Connection



(2)

Adaptor for BNC Rubber. Ducky



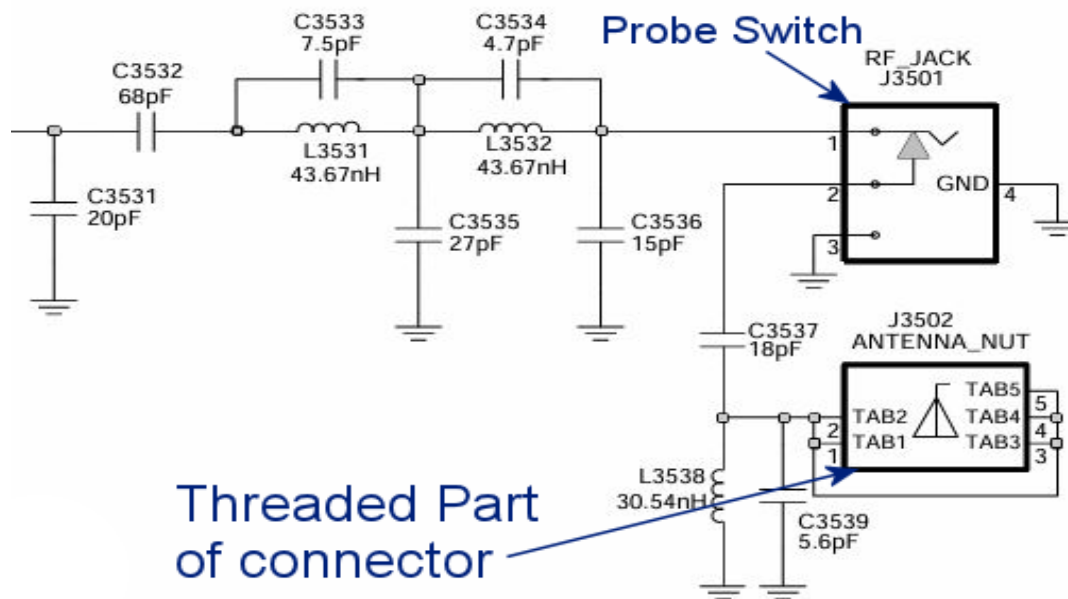
(3)

Adaptor for coax cable connection

The only problem is there is no “ground” connection from the radio to the shell of the BNC adaptor, and therefore very little power will flow through the coax to your new antenna. This adaptor is effectively only of use if you have an alternative rubber ducky antenna that has a BNC connection. But there is a way... The GP329 contains a circuit to optimise matching of the short rubber ducky antenna. This matching circuit would not work well with a coaxial cable connected antenna, so Motorola provide us with a clever solution. Enter another type of adaptor<sup>3</sup>. This adaptor has a probe, that when attached to the radio, activates a switch that disconnects the thread of the adaptor from the RF output. The tip of the probe makes contact with the RF output ahead of the rubber ducky matching circuitry; thereby providing a better match to coaxial cable, and the shaft of the probe contacts a ground connection to ground the shell of the adaptor. How convenient!

So, if you have such a radio and want to attach a different antenna – make sure you get the appropriate adaptor.

This is the radio antenna matching circuitry-



**Surplus Vintage Radio Information**- Interesting comprehensive collection of US military schematics

<http://www.introni.it/pdf/Grayson%20-%20Surplus%20Schematics%20Handbook%201960.pdf>

This link is for a PDF copy of Grayson's surplus schematic manual , 1960. VERY slow to download (>2 mins) but it eventually does, even on a mac, just be very patient (!)

### **GROTA News with Kelvin ZL3KB-**

#### **GROTA - Take to the Hills, again.**

Having had some success with getting ground-wave QRP signals over hills, we decided to try some bigger mountains. The Kaituna valley is separated from Lyttelton Harbour by a range of hills consisting of Mt Bradley and Mt Herbert, both around 1000m high. Bryan and my self setup in Kaituna valley, while six other GROTA stations setup around the harbour. The forecast rain refused to clear up by our On-Air time, so a few of us got wet.

Signals over the hill were generally very poor to non-existent, but it turned out the range was mostly beyond our five-mile limit for WS48 sets. Des (Camp Bay) and myself were running a little more power so we had weak but readable comms, despite the path being 7 miles right over the top of Mt Herbert. Interestingly, the higher power sets were received by skywave on Gore SDR, but not the nearer Marahau SDR.

What did we learn? Hills are OK, mountains are a challenge, especially if the distance is >5miles. Bryan learnt how much QRM comes from deserted churchyards. Rain forces manpack operators to shelter in "less than ideal" radio places. Des learnt how to get a flat car battery by leaving the car turned on!

Thanks to the team- **Ray ZL3RAM** WS48, **Bruce ZL3TFM** ZC1, **Aidan ZL3APB** ZC1, **Mike ZL3MWD** , **Peter ZL3AI** WS48, **Noel ZL4OW** WS48, **Des ZL3AK** C12, **Bryan ZL3BHS** WS21, and myself using a very wet A13 set.

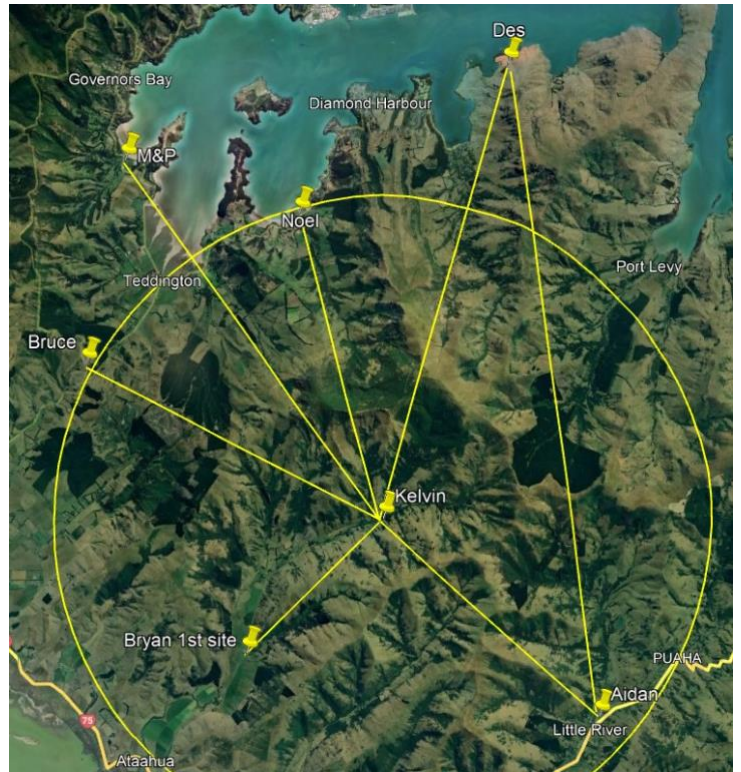
**73s Kelvin ZL3KB**



Des ZL3AK and C12 set- best sky wave of the day.



Peter and WS 48 in the dry



Kaituna trial map

## **Musick Point Radio Group (Inc.)**

### **Minutes of General Meeting held at the Musick Memorial Radio Station on 11 February 2024.**

Meeting started at 1300, following a POTA activity day in the reserve.

Present-As per attendance book.

Visitors- Qing BG4GEK, John ZL1JDG, Aurora.

Apology- nil.

Minutes for January- Accept as distributed-

Moved ZL1DL  
Seconded ZL1DRV  
Carried Unanimously

Business Arising- LED security light replacement proceeding, 2 now done, 2 over front door to be done on a Wednesday when at least 3 people are in attendance.

Finance- ZL1DL-

Donation of \$50 noted.

Current A/C \$2333.77, Serious Saver 7958.53 Repeater \$471.09

Total funds \$10,763.39

Propose accept- ZL3CK.  
Seconded- ZL1TOF  
Carried Unanimously.

New Member- Qing Fan BG4GEK

Proposer- ZL3CK  
Secunder ZL1DL  
Accepted unanimously.

General Business-

Constitution renewal- secretary has used as a guide the now-approved new constitution of the Papakura radio club (With their permission) to update ours, and will send to Registrar of Incorporated Societies for review in due course. Noted does not have to be done until 2026.

Meeting finished at 1312Hrs.

Minutes taken by ZL3CK.

Musick Point Radio Group Inc. Branch 86 NZART  
Minutes for Annual General Meeting held at Musick Memorial Radio Station  
on May 21 2023 13:44

Quorum present with names as per attendance book. Apologies received: Kevin ZL1KFM, Ethan ZL1EK

Minutes of previous AGM 10 Apr 2022: No errors, omissions or matters arising were tabled. Minutes accepted as circulated; proposed to accept by Jason ZL2JDH, seconded by David ZL1DRV. Accepted by all present.

### **Finance**

The club accounts for the year ending 31 March 2023 have been reviewed; the reviewer is satisfied that the accounts presented represent a true record of income and expenditure.

The accounts summary was provided to the meeting. Expenditure exceeded income for the year by \$438.38 and the club held \$10,198.87 in bank accounts as of the 31/3/23.

**Annual Subscription Setting:** For a number of years, the subscription has been held at \$40. After discussion on the merits of raising or holding the amount, it was decided to continue with \$40 for the annual subscription. Many members add a donation to their annual contribution, and it was thought this was preferable to raising the sub. Martyn ZL3CK proposed the annual subscription be maintained at \$40. Graham ZL1TOF seconded the proposal. The proposal passed by show of hands.

**Reports** from the Chairman, Secretary/Treasurer, Newsletter Editor and Webmaster were presented.

**Election of Officers** No prior nominations were received. Dave ZL1DL has been holding both Secretary and Treasurer positions; Martyn ZL3CK volunteered to be nominated for the secretary role. All other position holders agreed to continue in the respective portfolios – no other nominations were received. Elected and other positions were confirmed as:

<i>Position</i>	<i>Nominee</i>	<i>Nominated by</i>	<i>Seconded by</i>	<i>In Favour</i>
Chairman	David ZL1DRV	Dave ZL1DL	Graham ZL1TOF	All
Secretary	Martin ZL3CK	David ZL1DRV	Rick ZL1WOT	All
Treasurer	Dave ZL1DL	David ZL1DRV	Martyn ZL3CK	All
Newsletter editor	Martyn ZL3CK	N/A	N/A	All
Webmaster	Neil ZL1NZ	N/A	N/A	All

### **General Business**

The issue with monthly meetings often having to be deferred owing to insufficient members attending to reach the minimum numbers required for a quorum was raised. The existing requirement for 8 members (including at least two office holders) to make a quorum was, in general, seen to be difficult to achieve from a total membership of approximately 25. Against reducing the numbers required to make a quorum was the potential risk of a small group taking control. After discussion, Martyn ZL3CK put a motion to make a change to the club constitution:

“I move that paragraphs 6 (d) and 8 (a) of the club constitution be updated to provide for a quorum of 6 members (4 financial members plus 2 elected officers), from the existing quorum of 8 members (6 financial members plus 2 elected officers)”. The motion was seconded by Graham ZL1TOF. The result of the vote was 7 for and 1 against. The motion was carried.

Meeting closed at 14:45